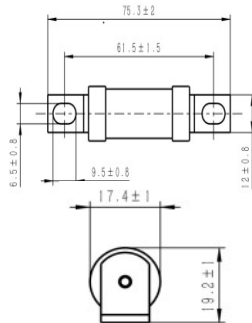


БРИТАНСКИЙ СТАНДАРТ BS88

IVHVT750-18R



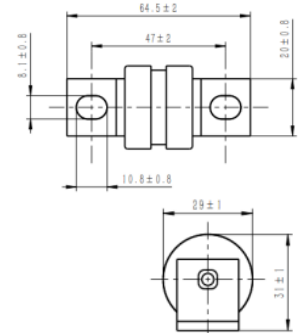
AMPERE: 10-100A

I.R.: 50kA@750Vdc

VOLTAGE: 750VDC

TERMINAL: BT(M5/M6)

IVHVT250



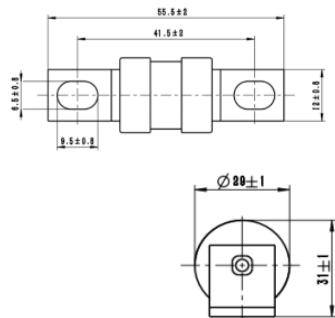
AMPERE: 16-500A

I.R.: 50kA

VOLTAGE: 250VDC

TERMINAL: BT(M5/M6/M8)

IVHVT300



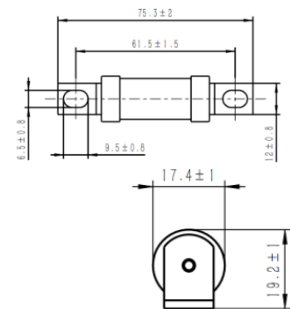
AMPERE: 50-200A

I.R.: 6kA@300Vdc

VOLTAGE: 300VDC

TERMINAL: BT(M5/M8)

IVHVT500-18R



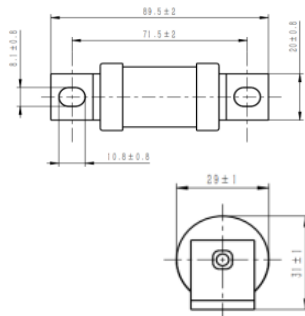
AMPERE: 10-100A

I.R.: 50kA@500Vdc

VOLTAGE: 500VDC

TERMINAL: BT(M6)

IVHVT500



AMPERE: 10-400A

I.R.: 50kA

VOLTAGE: 500VDC

TERMINAL: BT(M5/M6/M8)